

# Specification INTRAD CG44



## Product Description

INTRAD CG44 heavy duty protection for flat or curved vertical surfaces and round columns.

INTRAD CG44 is a heavy duty fender for areas subject to high wear and impact. Ideal for protection in goods lifts, car parks, service areas, warehouses, distribution centers, loading bays, bin stores, supermarkets, and any area that requires tough & practical protection.

## Product Reference

INTRAD CG44, comprising of an EPDM profile.

## NBS

P20/171D proprietary heavy duty fender.

## Size

200(H) x 30(D) mm

## Impact Rating

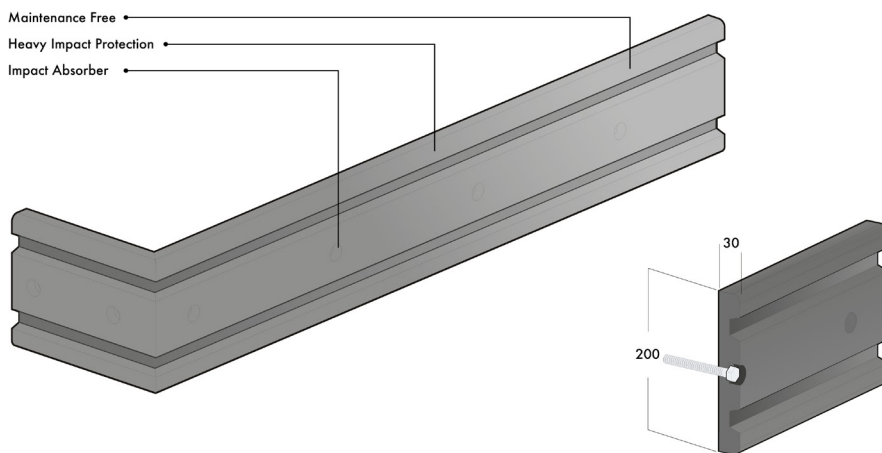
Medium to Heavy Duty

## Colour/Finish

Matt Black EPDM rubber.

## Manufacturer

PJP Limited, 184 St. Albans Road West, Hatfield, Hertfordshire, AL10 0TF, United Kingdom.



## Note

EPDM - A compound of synthetic rubber, hardeners, fillers and curing agents designed for general industrial applications requiring accurate profiles with consistent surface finish created by extrusion or moulding.