

Specification

INTRAD BHL-100



Product Description

INTRAD BHL-100 is a horizontal buffer designed for accurate positioning of a bed in specialist care situations. The “Locating” lugs allow staff to position the bed in the same location time after time so that the clinical services are always accessible whilst also offering protection to vulnerable medical equipment.

INTRAD BHL-100 Bed Head Locators comprises cover, aluminium core, impact absorber, two locating lugs and two mounting spacers. Supplied with an internal clearance of 1000 - 1400mm.

Product Reference

INTRAD BHL-100, comprising of a continuous aluminium core & impact absorber, cover and spacers.

NBS

P20/178C proprietary horizontal bed head locator.

Size

100(H) x 62(D) mm

Impact Rating

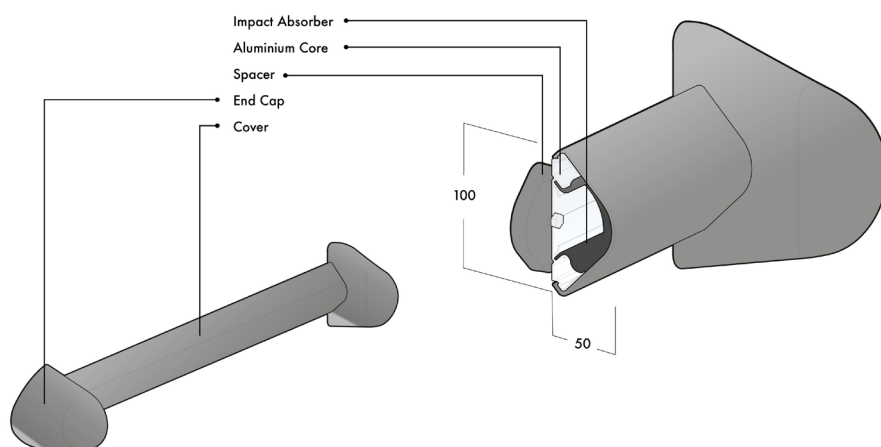
Heavy Duty

Colour/Finish

To be selected from the manufacturer’s available colour range. Embossed finish to cover profile and lugs.

Manufacturer

PJP Limited, 184 St. Albans Road West, Hatfield, Hertfordshire, AL10 0TF, United Kingdom.



Note

If the INTRAD BHL-100 is to be fitted to hollow walls (single/double skin plasterboard systems or similar) a suitable continuous noggin, pattress or metal channel must be installed.