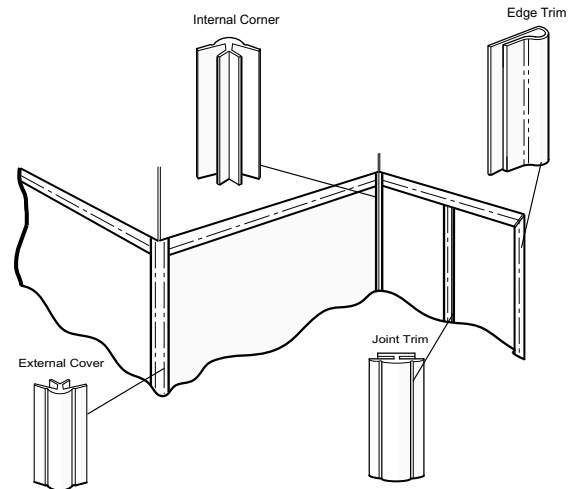


## General Information

INTRAD materials should be stored flat and protected against damage. Allow 24 hours for materials to reach ambient room temperature.



### STEP 1

Mark the wall at the desired height.



### STEP 2

Ensure substrate is sound, clean, dry and flat. De-grease the substrate and the back of the Reflex sheet with the recommended adhesive.



### STEP 3

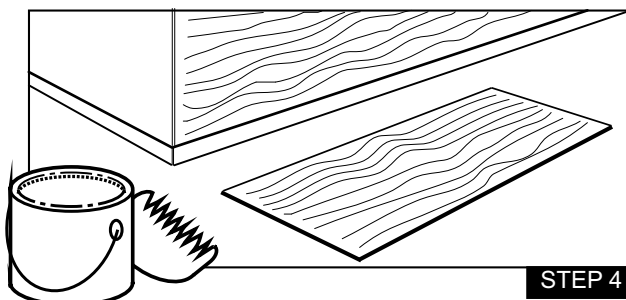
The sheet maybe supplied pre-cut to your requirements, alternatively it can be cut on site using a fine tooth saw or sharp Stanley knife. Ensure cuts are square and free of burr and sharp edges.



### STEP 4

Using a fine tooth spreader or brush, apply a thin layer of the recommended adhesive to the reflex sheet. Follow the drying times and installation method recommended for the adhesive and bond to the substrate. Consolidate bond with a heavy roller applying firm pressure over the entire surface.

**Note: If Reflex sheet panels are being fitted to doors it is advised all edges are chamfered.**

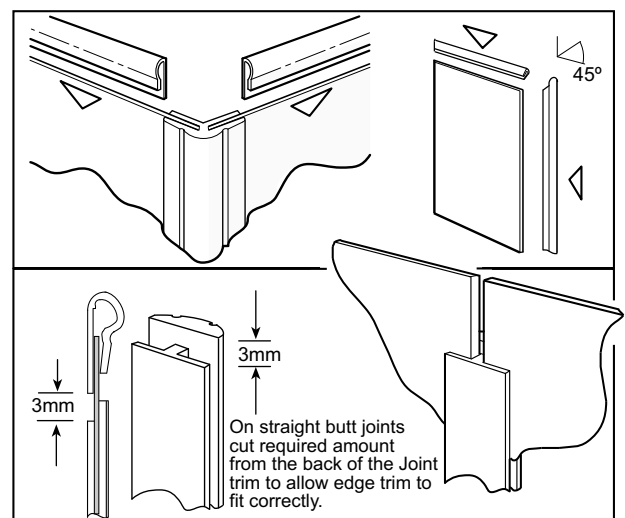


**STEP 4**

### STEP 5

There are three trim types available. A trim for jointing, a trim for edges and a 90° internal and external corner trim. Slide the trims onto the sheet while the adhesive is still tacky, and before offering the sheet to the wall. It is advisable to work away from internal corners.

**Note: Factory cuts may not be perfectly square.**



**STEP 5**